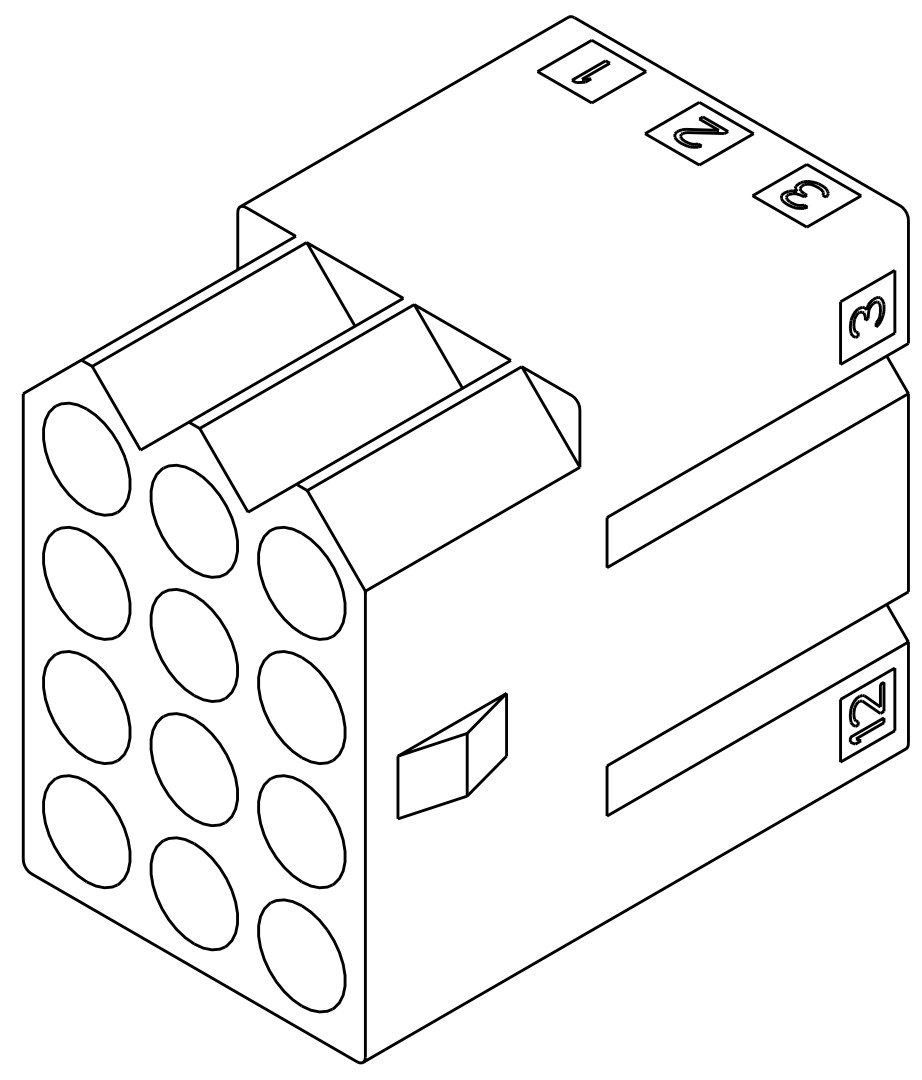
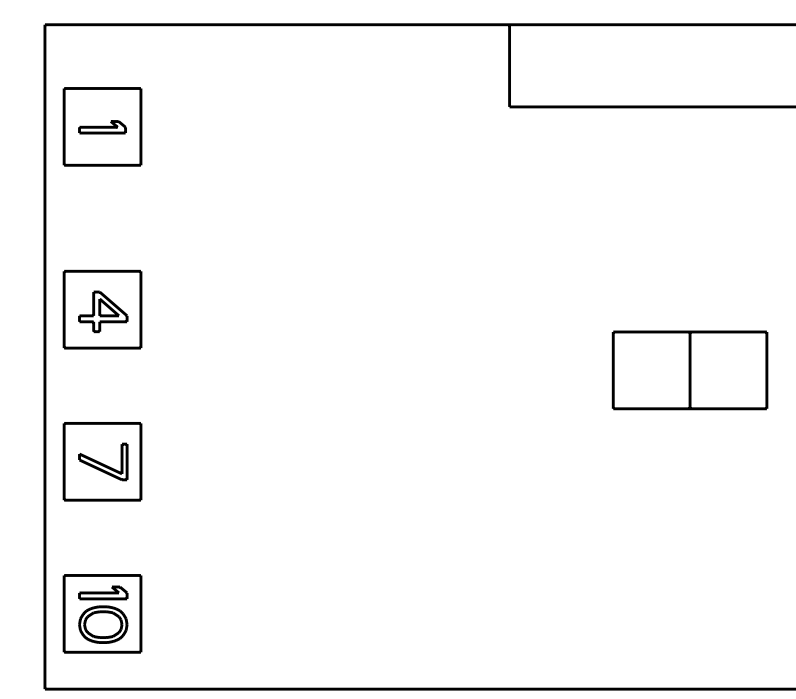
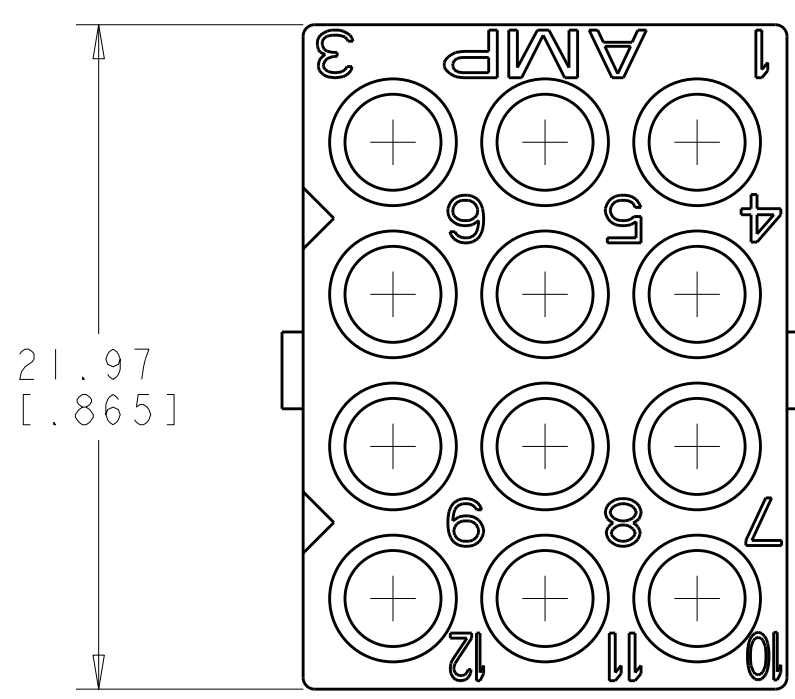
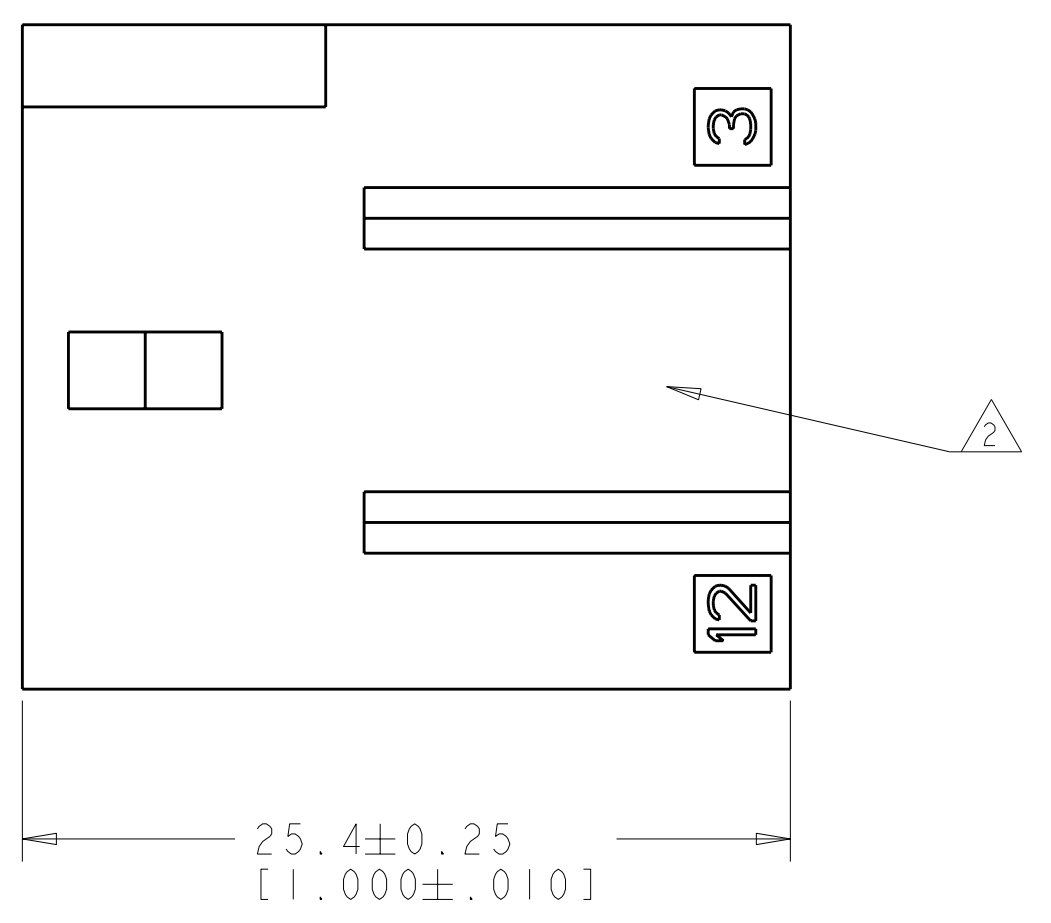
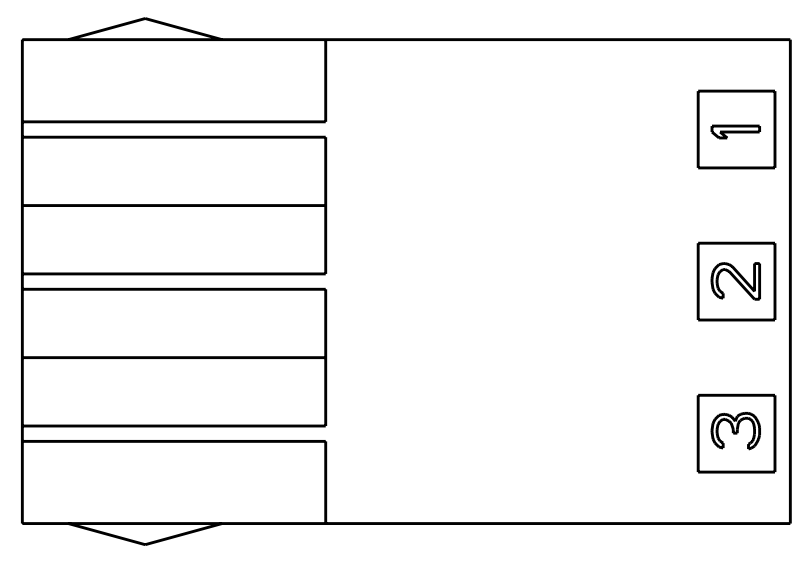
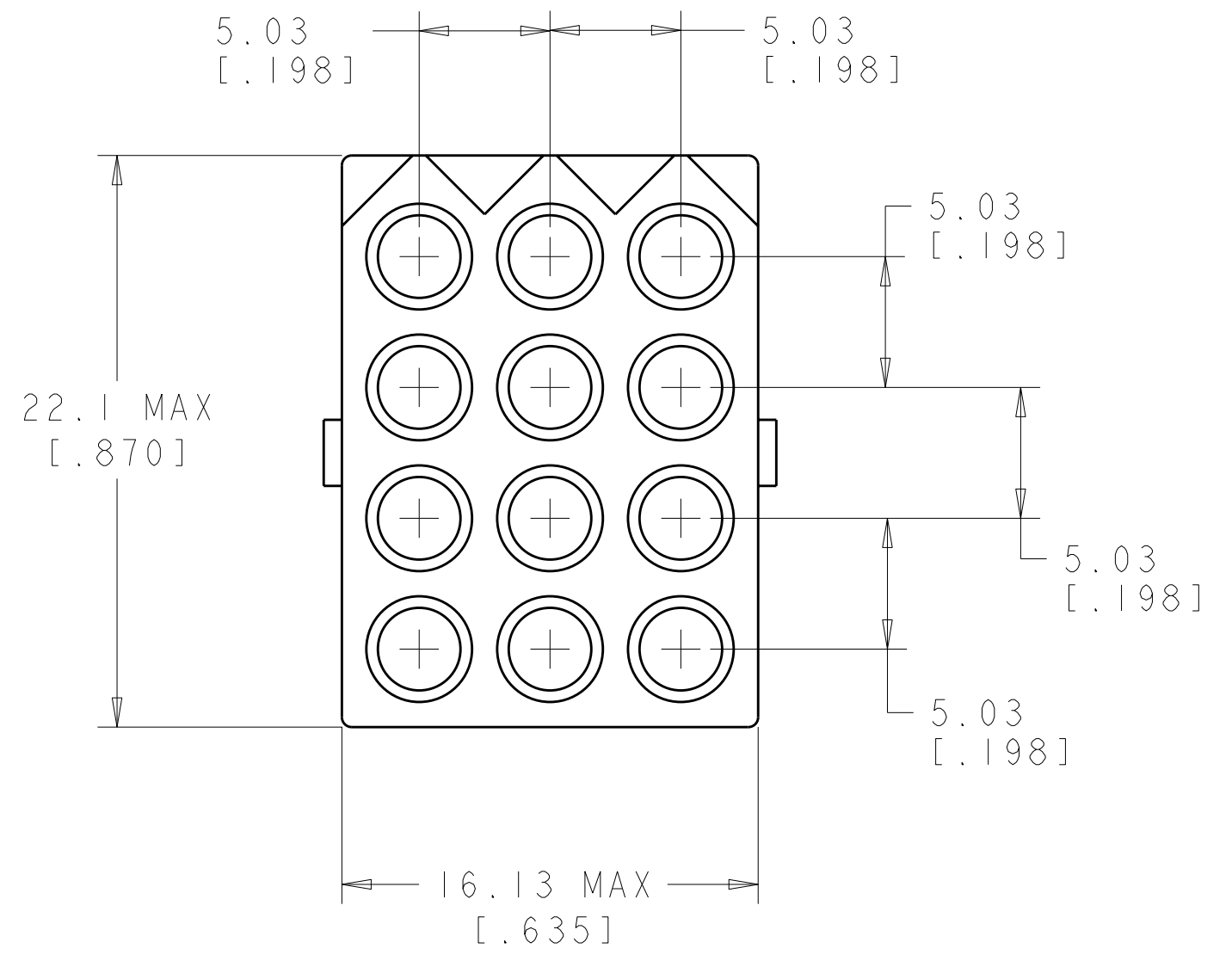


LOC	DIST	REV	DATE	BY	CHK	APPV
CM	00	E	28AUG2007	KW	CC	

△ MATERIAL: NYLON UL94V-2 (NATURAL).
 △ MARKING FOR UL LOGO AND CSA LOGO LOCATED APPROXIMATELY AS SHOWN.



0.294 IN ³	770098-1
VOLUME	PART NUMBER

DIMENSIONS: mm [INCHES] TOLERANCES UNLESS OTHERWISE SPECIFIED: 9 PLC ± 1 PLC ± 2 PLC ±0.13(.005) 3 PLC ± 4 PLC ± ANGLES ± MATERIAL: △ FINISH: -		DWN: R. WHITAKER 28AUG2007 CHK: C. CASH 28AUG2007 APPV: C. CASH 28AUG2007 PRODUCT SPEC APPLICATION SPEC WEIGHT: - CUSTOMER DRAWING	Tyco Electronics Harrisburg, PA 17105-3608 NAME: RECEPTACLE, 12 CIRCUIT, .093 COMMERCIAL PIN AND SOCKET SIZE: A 00779 C=770098 RESTRICTED TO: - SCALE: 4:1 SHEET 1 OF 1 REV E
--	--	--	--

METRIC